



Energy Savings Contracts
available

Advanced Industrial Aeration

New Patented Technology



World's First NON-Venturi Aeration Nozzle

Pump is the only moving part

Lagoon

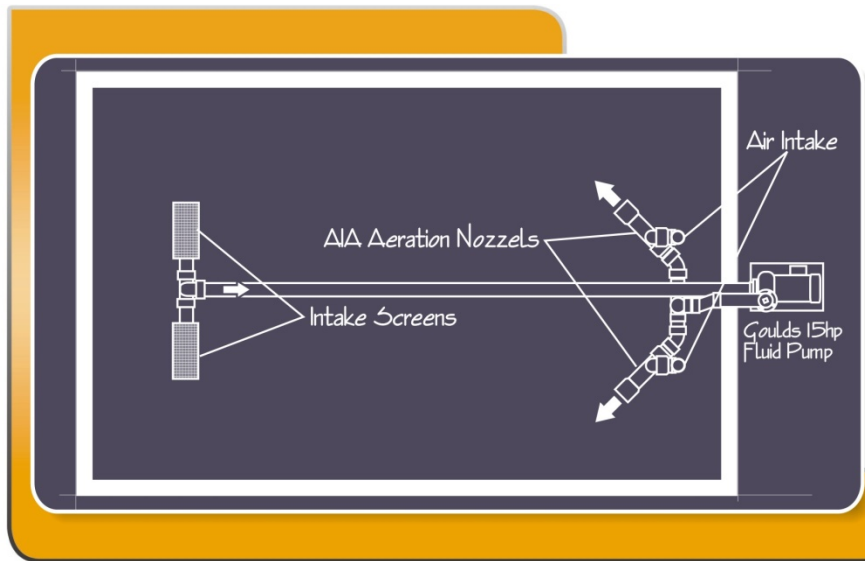


Tank

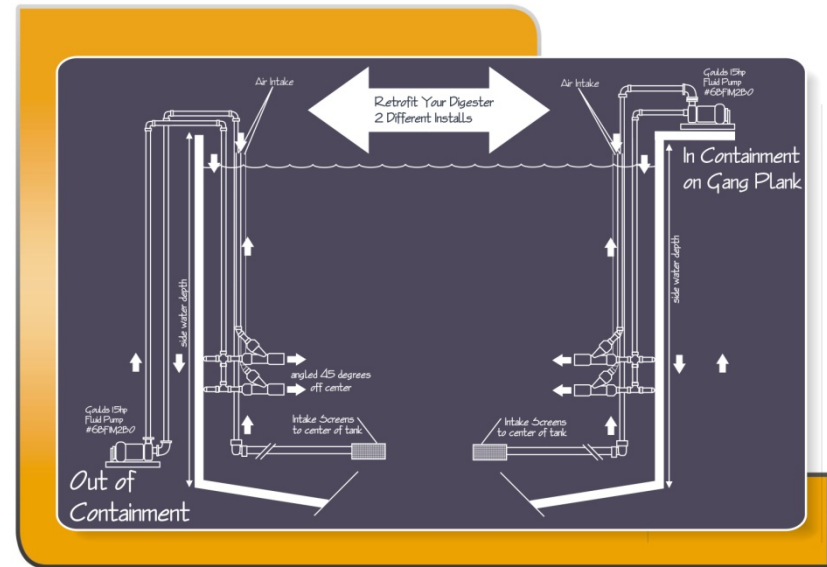


Complete mixing and Circulation

Lagoon



Tank



No Clogging or Maintenance

Air/water ratio 0.5 to 1

Air/water ratio 3 to 1

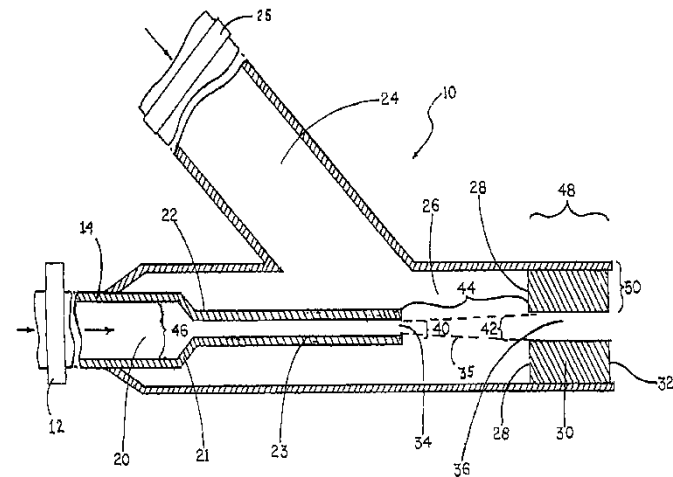
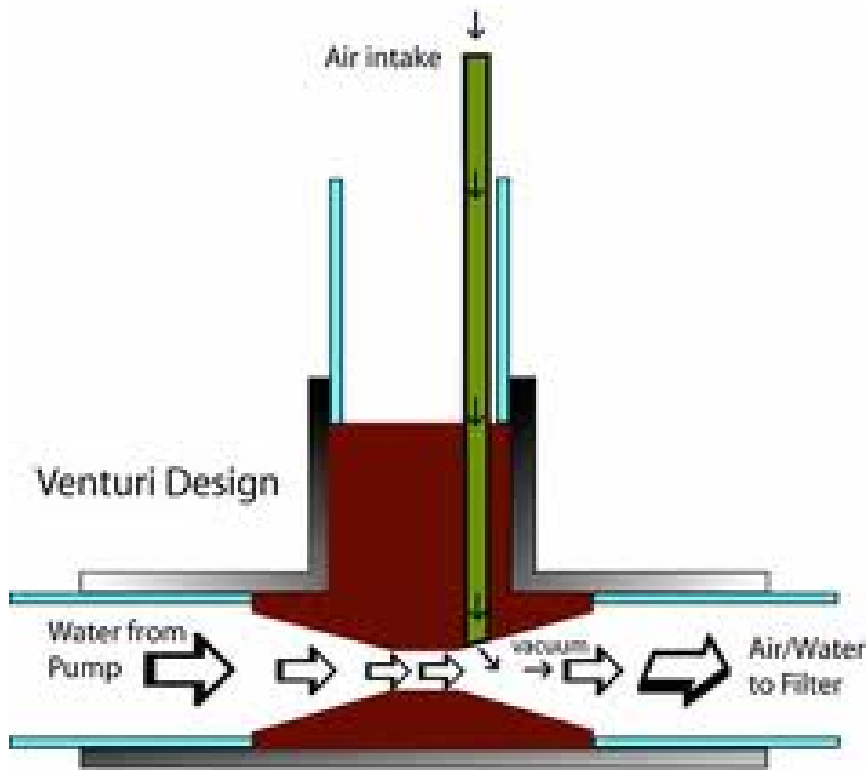


FIG. 1

Taeration® Design

15HP System - 8,820GPH

Feet of Depth	SOTR	#'sO ₂ /HR	#'sO ₂ /kwh
20'	55%	80.56	6.20
19'	52%	76.53	5.89
18'	49%	72.50	5.58
17'	47%	68.47	5.27
16'	44%	64.44	4.96
15'	41%	60.42	4.65
14'	38%	56.39	4.34
13'	36%	52.36	4.03
12'	33%	48.33	3.72
11'	30%	44.31	3.41
10'	27%	40.28	3.10
9'	25%	36.25	2.79
8'	22%	32.22	2.48
7'	19%	28.19	2.17
6'	16%	24.17	1.86
5'	14%	20.14	1.55
4'	11%	16.11	1.24

Advanced Industrial Aeration 

Highest SOTE available

(Standard Oxygen Transfer Efficiency)

Select Processing of Orlando



**Case Study to Reduce County
Disposal Surcharges**

Process Flow

- Receives
- Lime
- Belt Press
 - Cake to Landfill
 - Filtrate
- Aeration
- Clarification
- Discharge to County Sewer



Orange County FL Environmental Surcharges



Surcharge limits/charges				Limits- Mg/L
BOD	\$	48.31	\$/100 lbs	300
TSS	\$	50.00	\$/100 lbs	300
TN	\$	53.46	\$/100 lbs	40
TP	\$	193.80	\$/100 lbs	10
wastewater volume charge				
	\$	3.27	\$/1000 g	

'09 Historical BOD Levels

- 5160 Mg/L -HI
- 2470 Mg/L -LOW
- 3815 Mg/L -Average

JULY 2010 – 2 MG

667 BOD Mg/L

2.05 Million Gallons
Discharged

- \$40,298.11
- \$17,993.19
- \$29,145.65

- \$3043.08

**20 Horse Power
Aeration®
System**



- 16 kwh
- Continuous Run 24/7
- 30 Day Month
- @ \$0.0835 per kwh
- \$961.92

JULY

\$3043.08
+\$961.92
 \$4005.00

'09 Average

\$29,145.65
-4005.00
\$\$25,140.65



**Return on Investment 2
MONTHS**